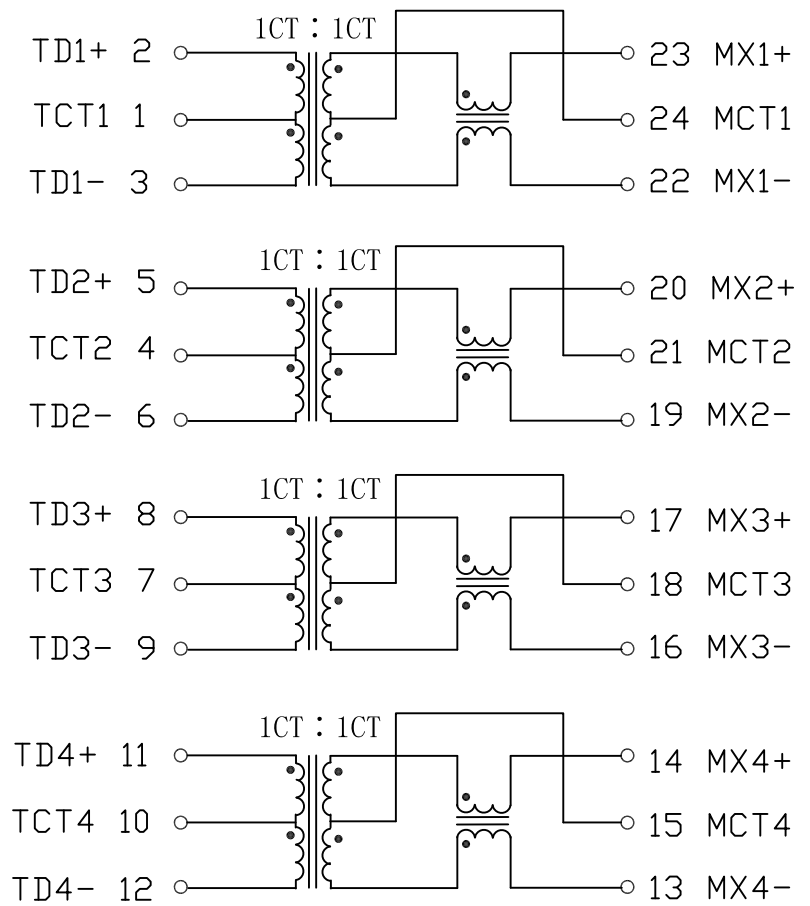


Schematic:

REV.	ECN NO.	DESCRIPTION	DATE	APPD
B	REL		2015-10-22	



Electrical Specifications @25°C

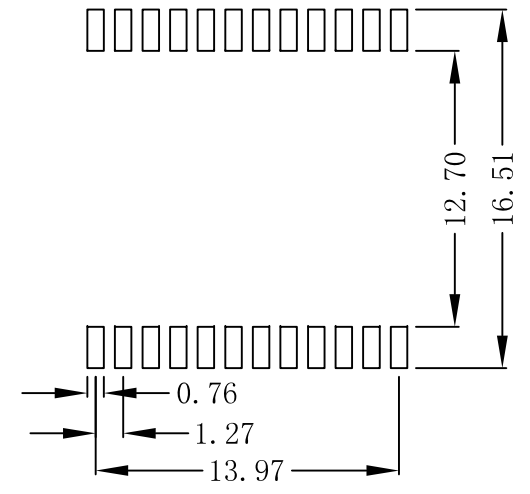
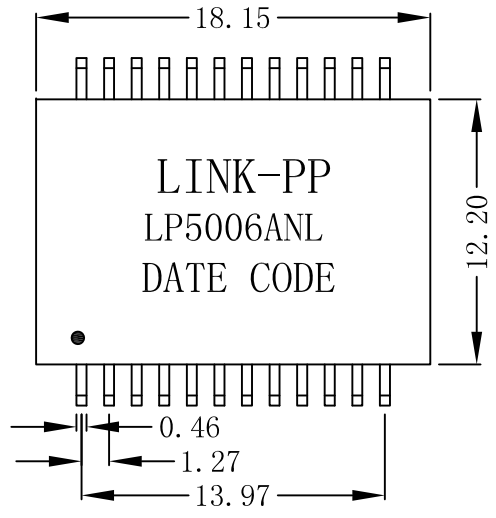
- Turns Ratio:
1CT : 1CT $\pm 2\%$
- OCL: 350uH Min
@100KHz, 100mV, 8mADC Bias
- Insertion Loss:
0. 3-100MHz:-1.1dB MAX
- Return Loss(dB MIN @100Ω):
1-30MHz:-16 40MHz:-16
50MHz:-14.1 60MHz:-12.5
80MHz:-10
- Crosstalk(dB MIN):
30MHz:-35.8 60MHz:-30.8
100MHz:-28.0
- CMR(dB MIN):
0. 3-30MHz:-40 60MHz:-35
80-100MHz:-30
- 720mA Current Capability--It is suitable for IEEE802.3at
- Hipot: 1500Vrms 1mA 60S
- Operating Temperature: -40°C ~ +85°C.



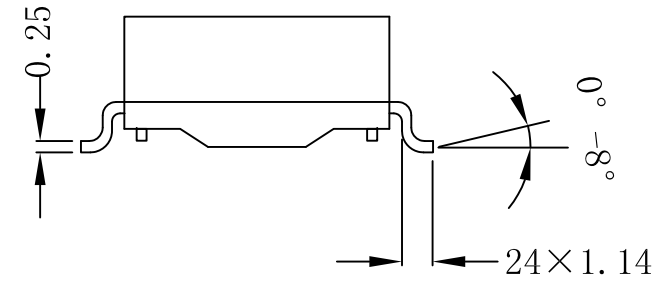
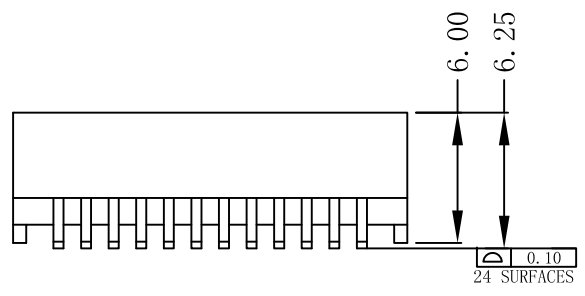
X:X	± 0.25	APPD:	LINK-PP INT'L TECHNOLOGY CO., LIMITED	
X:XX	± 0.20	CHKD:	TITLE:	
X:XXX	± 0.10	DR: TOM	100/1000Base-T Magnetic Modules For PoE+ Application	
ANGLES	$\pm 1^\circ$	UNIT: mm	PART NO.: LP5006ANL	
	SCALE: 2/1	SHEET: 1/2	REV: B	DWG NO.: LP15102201

Mechanical:

REV.	ECN NO.	DESCRIPTION	DATE	APPD
B	REL		2015-10-22	



SUGGESTED PAD LAYOUT



NOTES:

1. Designed to support application, such as SOHO (ADSL modems), LAN-on-Motherboard (LOM), hub and Switches.
2. Meets IEEE 802.3at specification.
3. Maximum reflow temperature is 250°C, 5 Sec.



X:X	±0.25	APPD:	LINK-PP INT'L TECHNOLOGY CO., LIMITED	
X:XX	±0.20	CHKD:	TITLE:	
X:XXX	±0.10	DR: TOM	100/1000Base-T Magnetic Modules For PoE+ Application	
ANGLES	±1°	UNIT: mm	PART NO.: LP5006ANL	
	SCALE: 2/1	SHEET: 2/2	REV: B	DWG NO.: LP15102201

Sales Department A-B2

Sales Engineer / Summer Ming - 明夏

Tel: 0086-752-3322915 Mob: 0086-180-2668-6530

Fax: 0086-752-3161926

E-mail: Summer@link-pp.com

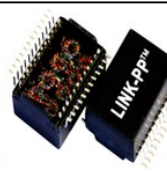
www.link-pp.com

LINK- PP INT'L TECHNOLOGY CO., LIMITED

Jia An Industrial Park, Chenjiang Rd, Zhongkai Hightech Zone, Huizhou City,
516003, China




RoHS



LINK- PP INT'L TECHNOLOGY CO., LIMITED

Seris : LPJXXXXXXXX / LPXXXXXXXX / LPAXXXXXXX