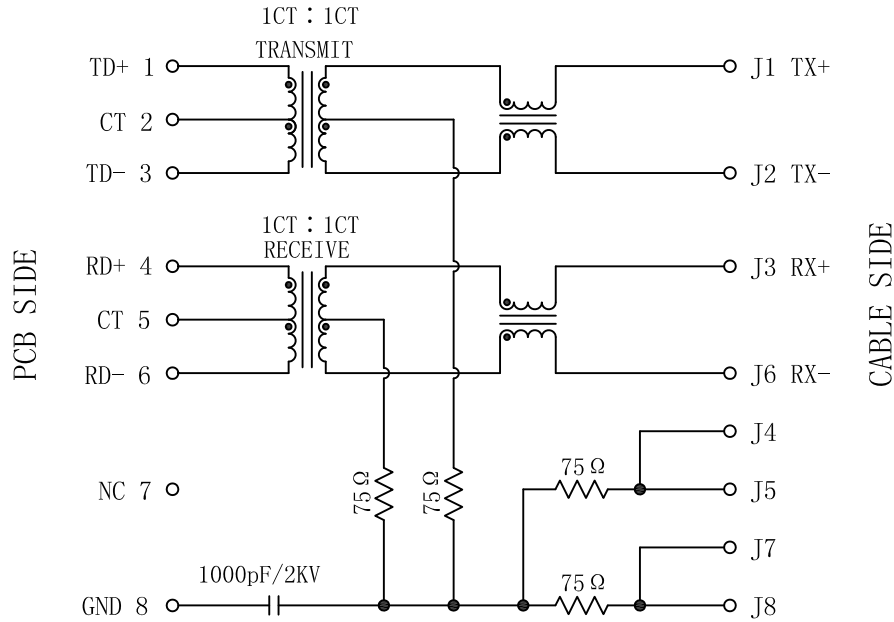


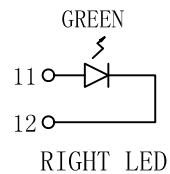
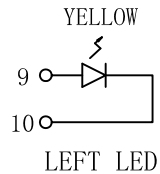
# Schematic:

REV.	ECN NO.	DESCRIPTION	DATE	APPD
A	REL		2015-01-22	



## ELECTRICAL SPECIFICATIONS @25°C

- Turn Ratio ( $\pm 2\%$ ):  
TX=1CT:1CT      RX=1CT:1CT
- Inductance OCL: 350uH MIN  
@ 100KHz/0.1V 8mA DC Bias
- Insertion Loss:  
1. 0-100MHz: -1.0dB MAX
- Return Loss (dB MIN):  
1-30MHz: -18      30-60MHz: -15  
60-80MHz: -12      80-100MHz: -10
- Cross talk (dB MIN):  
30MHz: -40      60MHz: -35  
100MHz: -30
- Common Mode Rejection (dB MIN):  
30MHz: -40      60MHz: -35  
100MHz: -30
- Hipot Test: 1500Vrms
- Operating Temperature Range: -40°C TO +85°C.

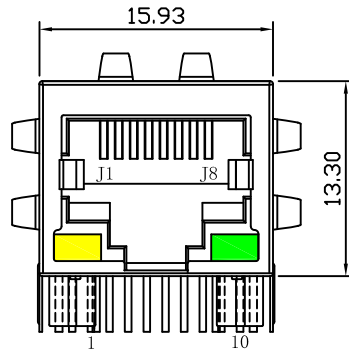


Emitting Color	$\lambda$ p(nm)	V <sub>F</sub> @I <sub>F</sub> =20mA	I <sub>R</sub> @V <sub>R</sub> =5V
Green	565	1.8~2.6V	10 $\mu$ A max
Yellow	590	1.8~2.6V	10 $\mu$ A max

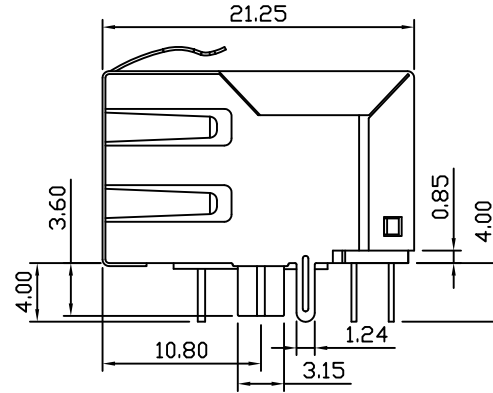
X:X	$\pm 0.30$	APPD:	LINK-PP INT'L TECHNOLOGY CO., LIMITED	
X:XX	$\pm 0.25$	CHKD:	TITLE: RJ45 Connector with 10/100 Base-T Integrated Magnetics	
X:XXX	$\pm 0.05$	DR:	PART NO.: LPJ4012GDNL	
ANGLES	$\pm 1^\circ$	UNIT:	mm	
	SCALE:	2/1	SHEET:	1/2
	REV:	A	DWG NO.:	LP10032016

# Mechanical:

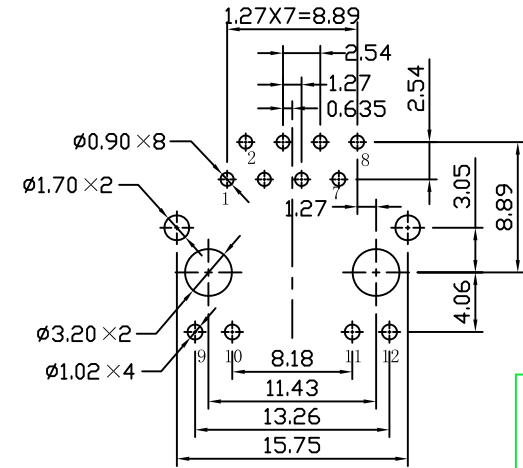
REV.	ECN NO.	DESCRIPTION	DATE	APPD
A	REL		2015-01-22	



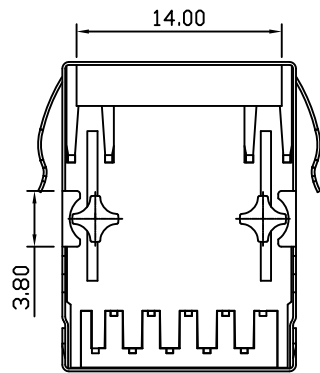
Front Side View



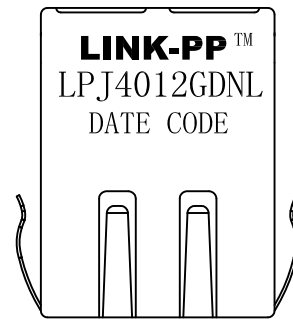
Left Side View



Suggested PCB Layout (Top View)



Bottom Side View



Top Side View

## NOTES:

1. Designed to support application, such as SOHO (ADSL modems), LAN-on-Motherboard (LOM), hub and Switches.
2. Connector Materials:  
 Housing: Thermoplastic PBT+30%G.F UL94V-0  
 Contact: Phosphor Bronze C5210R-EH Thickness=0.35mm  
 Pins: Brass C2680R-H Thickness=0.35mm  
 Shield: SUS 201-1/2H Thickness=0.2mm  
 Contact plating: Gold 6 micro-inches min. In contact area.
3. Wave solder tip temperature: 265°C Max, 5 Sec Max.

X:X	±0.30	APPD:	LINK-PP INT'L TECHNOLOGY CO., LIMITED	
X:XX	±0.25	CHKD:	TITLE: RJ45 Connector with 10/100 Base-T Integrated Magnetics	
X:XXX	±0.05	DR: TOM	PART NO.: LPJ4012GDNL	
ANGLES	±1°	UNIT: mm	DWG NO.: LP10032016	
	SCALE: 2/1	SHEET: 2/2	REV: A	