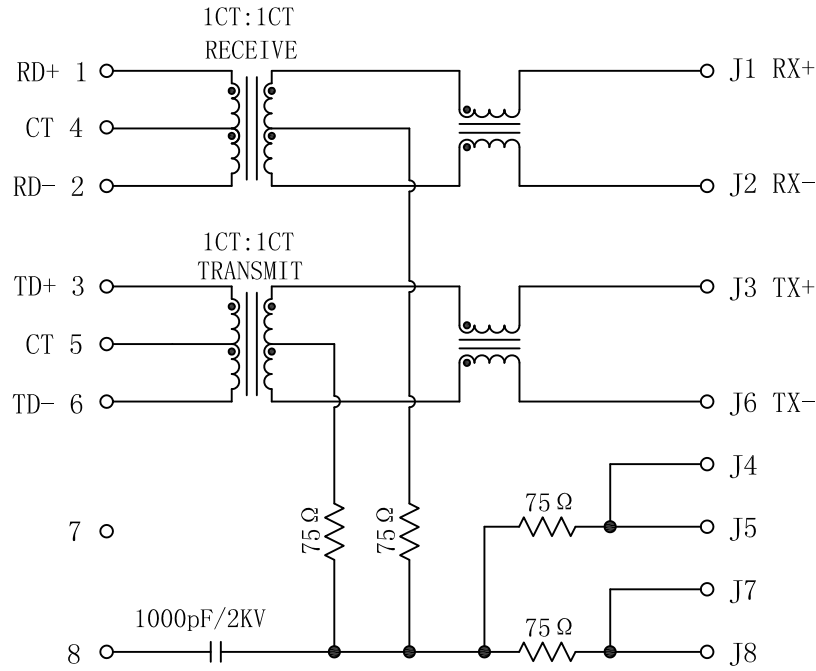


# Schematic:

REV.	ECN NO.	DESCRIPTION	DATE	APPD
A	REL		17/02/2009	

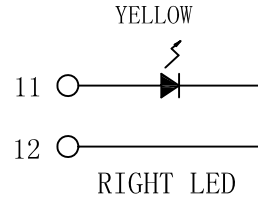
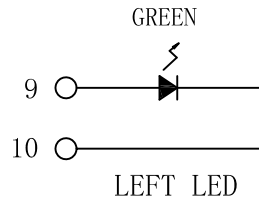
PC BOARD CONNECTIONS



RJ45 CONNECTOR

Electrical Specifications: @25°C

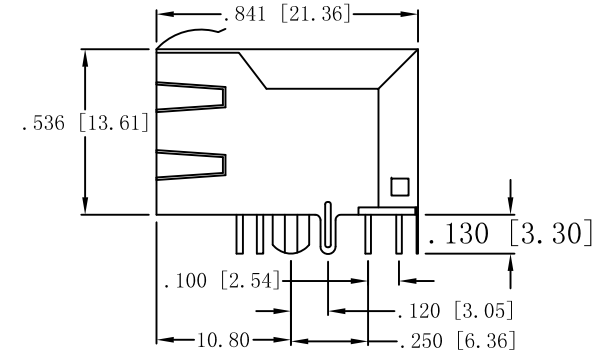
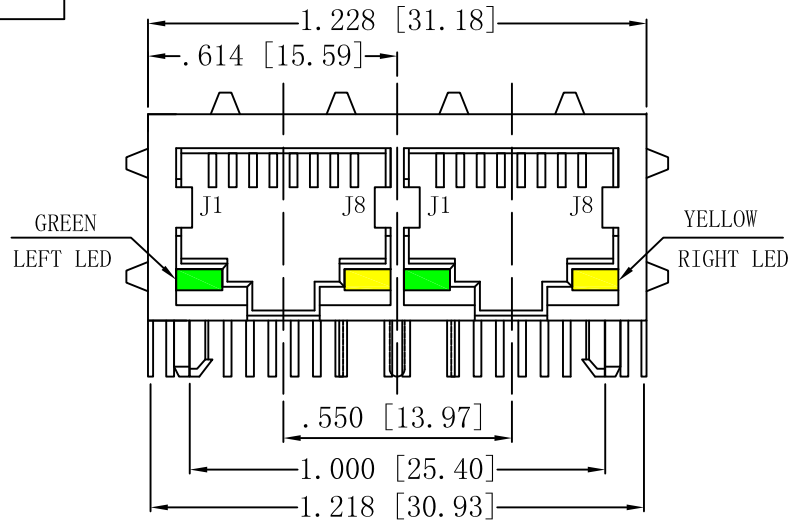
- Turns Ratio ( $\pm 2\%$ ):  
TX=1CT:1CT      RX=1CT:1CT
- 0CL: 350uH Min  
@100KHz, 100mV, 8mA DC Bias
- Insertion Loss:  
1-100MHz:-1.2dB Max
- Return Loss(dB Min):  
1-10MHz:-18      30MHz:-16  
60-100MHz:-10
- Crosstalk(dB Min):  
1-100MHz:-30
- Common Mode Rejection(dB Min):  
1-50MHz:-30      50-130MHz:-20
- Isolation Voltage: 1500Vrms
- Operating Temperature: 0°C~70°C.



X:X	$\pm 0.30$	APPD:	LINK-PP INT'L TECHNOLOGY CO., LIMITED
X:XX	$\pm 0.25$	CHKD:	
X:XXX	$\pm 0.05$	DR: TOM	
ANGLES	$\pm 1^\circ$	UNIT: Inches/mm	TITLE: RJ45 Connector With 10/100 Base-TX Integrated Magnetic
			PART NO.: LPJ26204AENL
	SCALE: 2/1	SHEET: 1/2	REV: A      DWG: LP09021720

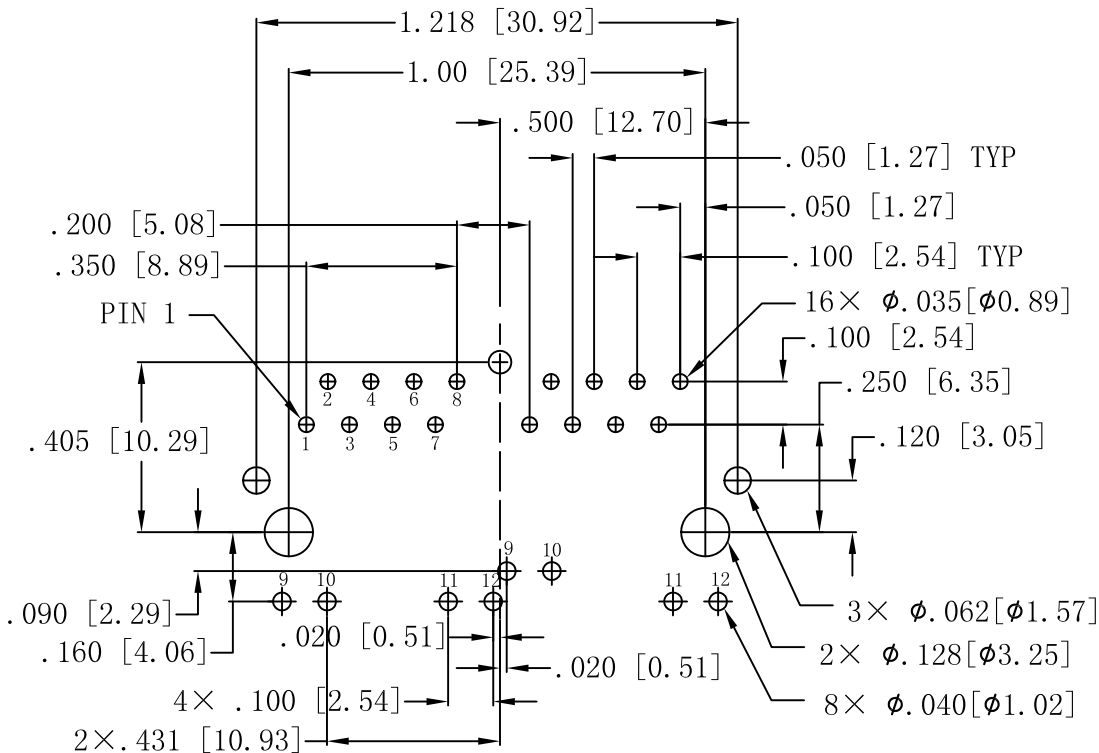
# Mechanical:

REV.	ECN NO.	DESCRIPTION	DATE	APPD
A	REL		17/02/2009	



## NOTES:

1. Designed to support application, such as SOHO (ADSL modems), LAN-on-Motherboard (LOM), hub and Switches.
2. Meets IEEE 802.3 specification
3. Connector Materials:  
 Housing: Thermoplastic UL94V-0  
 Contact/Shield: Copper alloy  
 Shield plating: Nickel  
 Contact plating: Gold 6 micro-inches Min. In contact area.
4. Reflow rating: 250°C Max, 10 Sec Max.



SUGGESTED PCB LAYOUT (TOP VIEW)

X:X	±0.30	APPD:	LINK-PP INT'L TECHNOLOGY CO., LIMITED	
X:XX	±0.25	CHKD:	TITLE: RJ45 Connector With 10/100 Base-TX Integrated Magnetic	
X:XXX	±0.05	DR: TOM	PART NO.: LPJ26204AENL	
ANGLES	±1°	UNIT: Inches/mm	DWG: LP09021720	
	SCALE: 2/1	SHEET: 2/2	REV: A	